



PROVIDENCE PIPE PRODUCTS

PRODUCT SPECIFICATION SHEET

NAME: POST BASES

DESCRIPTION/FEATURES:

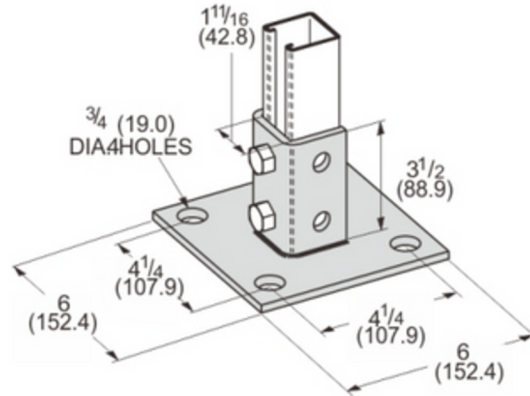
Post bases (6x6x10 and 6x4x8) provide stable foundations for vertical mounting of strut structures.

CODES & STANDARDS COMPLIANCE:



SPECIFICATIONS:

PRODUCT PHOTO/LINE DRAWINGS:



PT #	DESCRIPTION	MASTER CARTON QTY	INNER CARTON QTY	WT. / PC (lbs) or FT	CARTON WEIGHT (lbs)
P-PB-6610	6X6X10 POST BASE	10	-	3.64	36.4
P-PB-648	6X4X8 POST BASE	10	-	2.89	28.9